

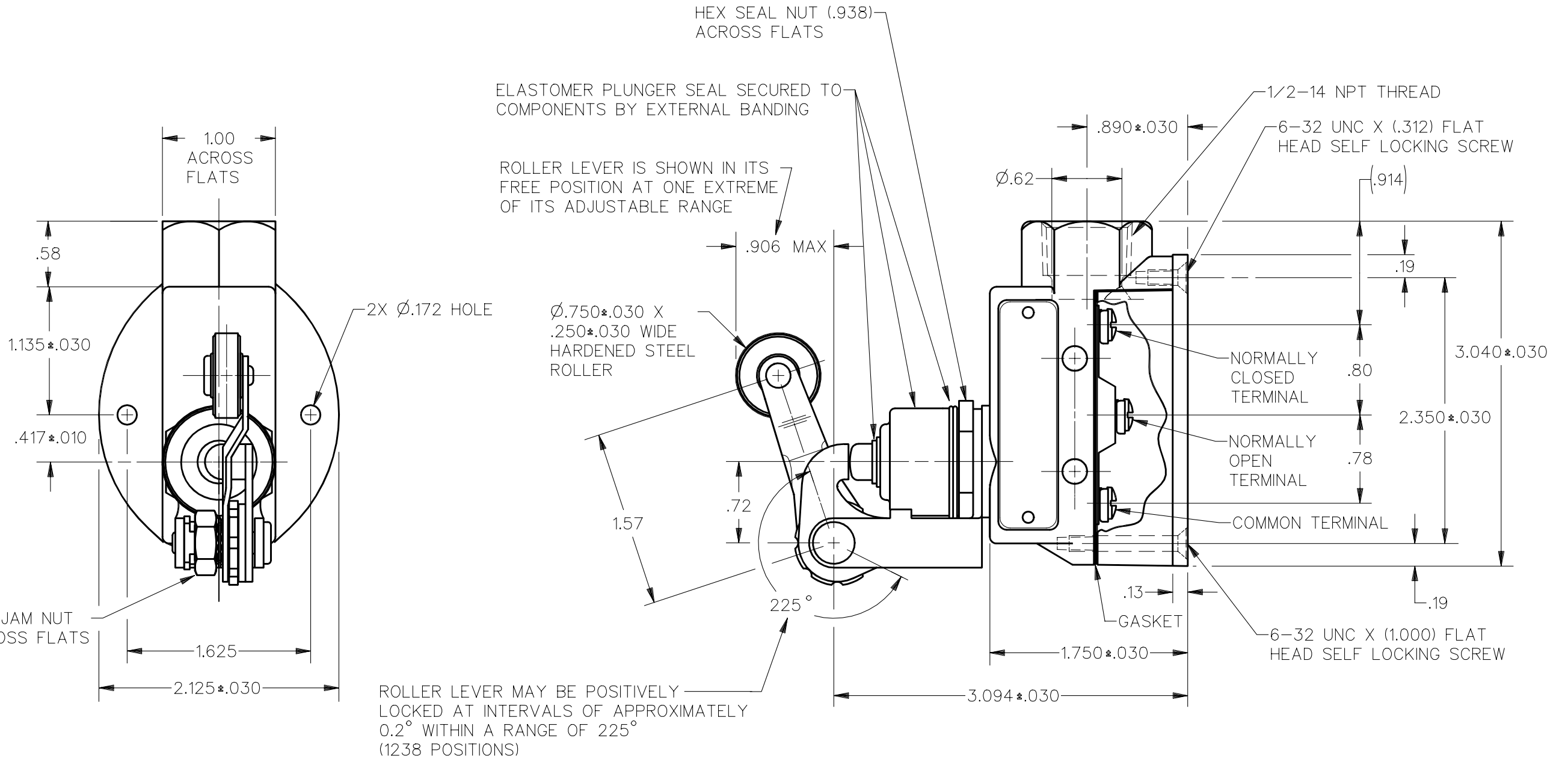
CATALOG LISTING  
**BZV6-2RN2**

ISSUE  
**M**  
11

PAGE 1 OF 1

REVISIONS	CHECK	RELEASE NO.	REPLACES
A	CO-73736		
	SAV	7 OCT 92	
B	CO-73655		
	TSM	22 OCT 93	
C	CO-77179-C		
	JJO	12 MAR 94	
D	CO81513E		
	JAK	11 MAR 97	

DDM/CAD  
DRAWN  
SAV 7 OCT 92



NOTE  
1 - ROLLER LEVER BRACKET ASSEMBLY MAY BE SET AT ANY POSITION AROUND AXIS OF PLUNGER  
2 - 3X 6-32 UNC X (.219) BINDING HEAD TERMINAL SCREW AND CUPWASHER

THIS DRAWING COVERS A PROPRIETARY ITEM AND IS THE PROPERTY OF MICRO SWITCH, A DIVISION OF HONEYWELL. THIS DRAWING IS NOT TO BE COPIED OR USED WITHOUT THE APPROVAL OF MICRO SWITCH		THIRD ANGLE PROJECTION
<b>CHARACTERISTICS</b>	<b>ELECTRICAL DATA</b>	SCALE FULL
OPERATING FORCE ———— 10-20 OZ	CONTACT ARRANGEMENT S P D T	DO NOT SCALE PRINT
RELEASE FORCE ———— 6 OZ MIN	L74 15A 125, 250 OR 480 VAC 2A 600 VAC 1/8HP 125 VAC, 1/4HP 250 VAC 1/2A 125 VDC, 1/4A 250 VDC	<b>UNLESS OTHERWISE SPECIFIED TOLERANCES ARE</b>
PRETRAVEL ———— .188 MAX		ONE PLACE (.0) ±.030
DIFFERENTIAL TRAVEL ———— .006 MAX		TWO PLACE (.00) ±.015
OVERTRAVEL ———— .219 MIN		THREE PLACE (.000) ±.005
BASIC SWITCH REPLACEMENT—BZ-2RN702		ANGLES ±
		WEIGHT .76 LB



ANSI Y14.5M-1982 APPLIES